



EXCAVATOR MOUNTED TYPE VIBRATORY HAMMERS

EMS
GROUP

Ostimex[®]
Joint Stock Company

EMS Hydraulic Machine
GROUP Ind. Co. Ltd.
www.emsgroup.com.tr



ABOUT EMS GROUP

EMS Group® manufactures and supplies the best quality hydraulic vibratory hammers and power packs for global market. We support services and operation of processing as well as the spare parts. We are well-known in our market-leading vibratory hammer range. We have ability to implement, manage and maintain the all steps of manufacturing vibratory hammers and power packs. We are an internationally operating company and determined to become one of the biggest manufacturer in the hydraulic vibratory hammers sector since 2009. Diligence : We use due diligent practices and efficiency in our manufacturing processes. We improve our group continuously and we will secure the growth of our group in the long term. Technology : We secure our technological capacity by high product quality , constant innovations of products as well as manufacturing processes. We devote ourselves to manufacture high quality products , ensuring the longevity. People : We have valuable , honest and team-oriented shop floor with transparent management. The opinions and experience of our employees are very important to make decision about the process. We are doing our best for stable partnership with our customers. Our Goal : We are determined to reach our goal by the quality management of the EMS group. Our policy is to supply our customers with high-quality products meeting all technological standards and requirements Market : We are fully aware of that we must maintain and improve our competitive position by always increasing the quality of our services. The quality is determined by the material used, labor costs and financial power i.e. Our quality management is in charge of executing quality control at all levels. Each employee of the EMS group has to be integrated by management in all execution. Each employee of our company takes the responsibility for the quality of his work. Our quality is assured by the close communication between our teams.

Ostim **ex**
A.Ş



ABOUT OSTIMEX

Ostimex is a foreign trading company in Ankara ,TURKEY. Ostimex established longer and closer working relationships with our customers and suppliers not only provide immediate and reliable service but to continually exceed expectations and goals. Ostimex creating commercial flows, import and export products, arranging and managing international projects with our partners. By means of our network, we are able to integrate all these functions with our experience. Our numerous competencies allow us to respond to the needs of industries looking for a new market. We look forward to welcoming you to our company in Turkey.

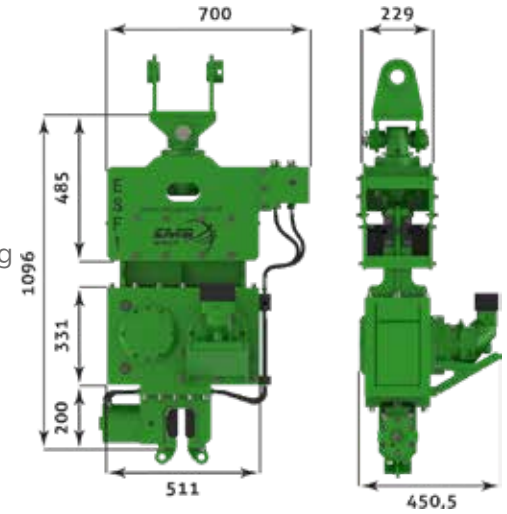


ESF1B Mini Size Vibratory Hammer

ESF1B model micro vibro hammer is a very unique and special for small size pile driving applications.

Carrier : 5-10 tons class mini excavators, Back Hoe loaders and mini loaders.

Best suiting model for your small size H beam, PVC Vinyl Sheet Piles, High Way Barrier H beams, Solar Farm Profile driving projects.



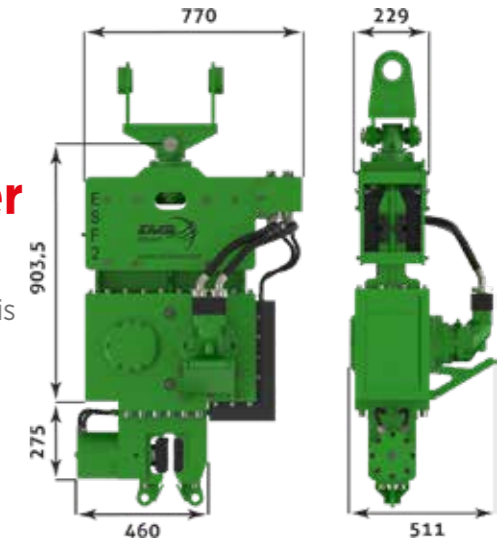
Excavator Class	tons	8-10
Centrifugal Force	kN	81
Eccentric Moment	kgm	1
Speed	rpm	3200
Pulling Force	kN	30
Push Down	kN	20
Total Weight	kg	375
Dynamic Weight	kg	290
Amplitude	mm	6
Power	kW	60
Displacement	liter/min	100
Working Pressure	bar	320
Height	mm	1096
Width	mm	451
Length	mm	700



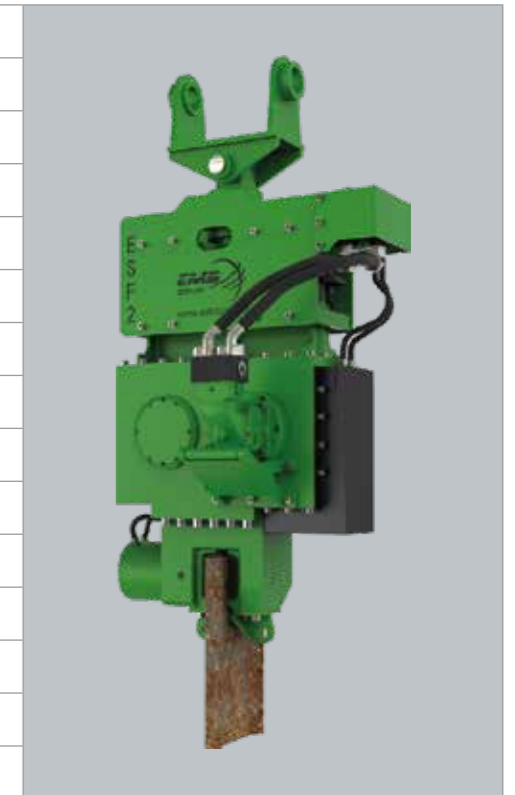


ESF2B Mini Size Vibratory Hammer

ESF2 model vibro hammer is a very unique and special for small size pile driving applications. This model is attached to 14/16 tons class excavators.



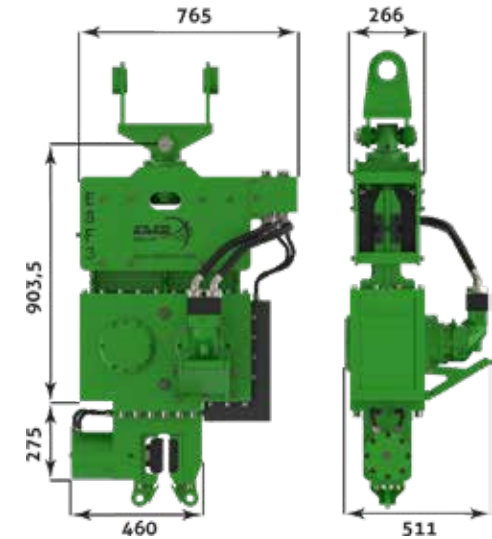
Excavator Class	tons	10-12
Centrifugal Force	kN	258
Eccentric Moment	kgm	2
Speed	rpm	3200
Pulling Force	kN	60
Push Down	kN	40
Total Weight	kg	610
Dynamic Weight	kg	495
Amplitude	mm	9
Power kW	kW	60
Displacement	liter/min	110
Working Pressure	bar	320
Height	mm	1215
Width	mm	511
Length	mm	770



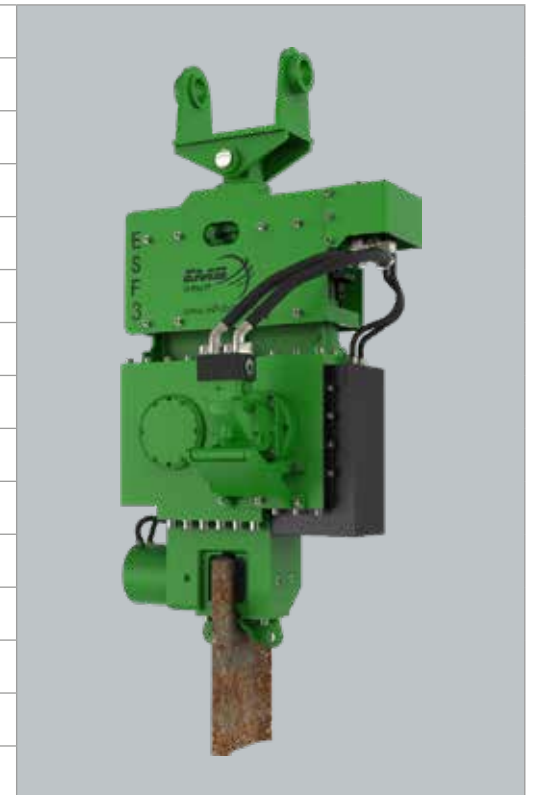


ESF3B Mini Size Vibratory Hammer

ESF3B model vibro hammer is a very unique and special for small size pile driving applications. This model is attached to 16 tons class excavators. This size is optimum for PVC sheet piles driving.



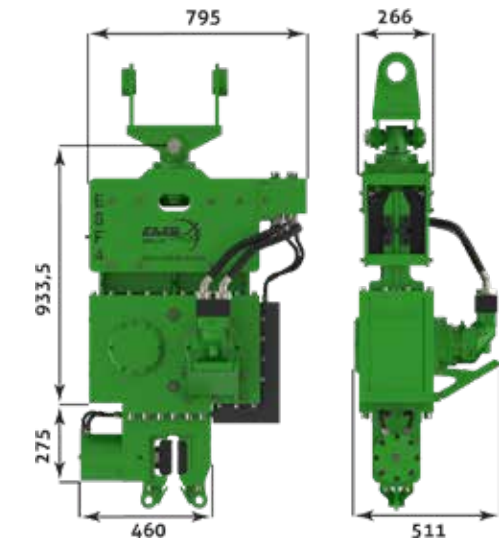
Excavator Class	tons	12-15
Centrifugal Force	kN	297
Eccentric Moment	kgm	3
Speed	rpm	3000
Pulling Force	kN	60
Push Down	kN	40
Total Weight	kg	635
Dynamic Weight	kg	515
Amplitude	mm	12
Power	kW	60
Displacement	liter/min	110
Working Pressure	bar	320
Height	mm	1215
Width	mm	511
Length	mm	770



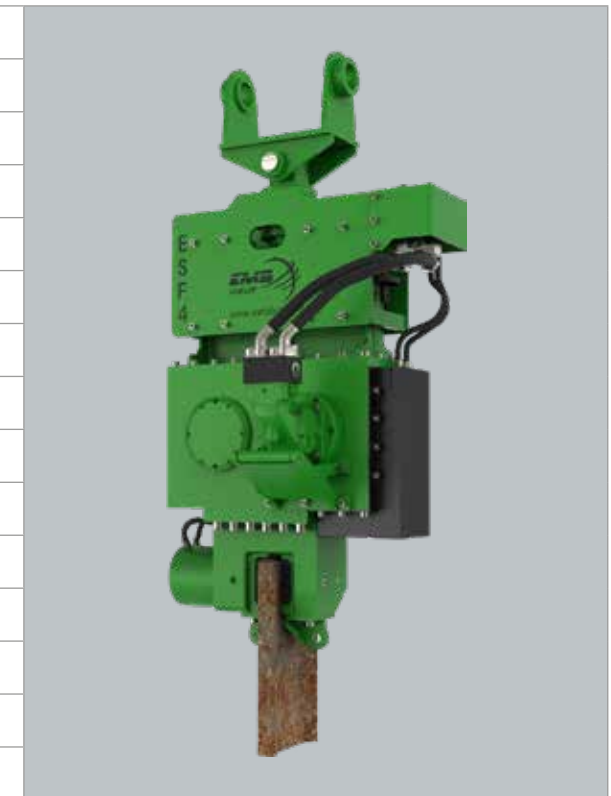


ESF4B Mini Size Vibratory Hammer

ESF4B model vibro hammer is attached to 18/20 tons class excavators. In normal soil conditions and low weight materials enough to drive posts and sheet piles up to 6 mt.



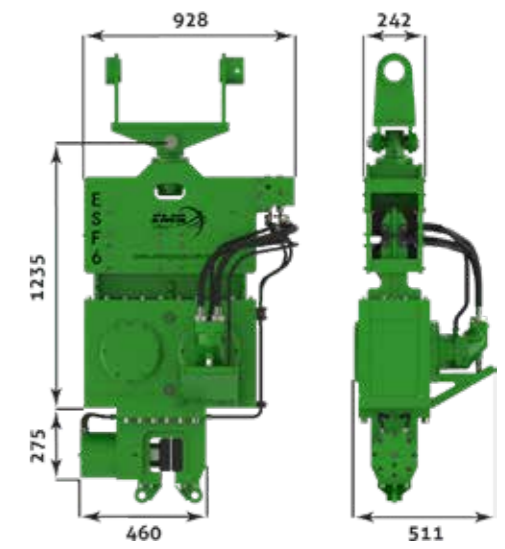
Excavator Class	tons	15-20
Centrifugal Force	kN	449
Eccentric Moment	kgm	4
Speed	rpm	3200
Pulling Force	kN	60
Push Down	kN	40
Total Weight	kg	650
Dynamic Weight	kg	530
Amplitude	mm	15
Power	kW	60
Displacement	liter/min	110
Working Pressure	bar	320
Height	mm	1215
Width	mm	511
Length	mm	770



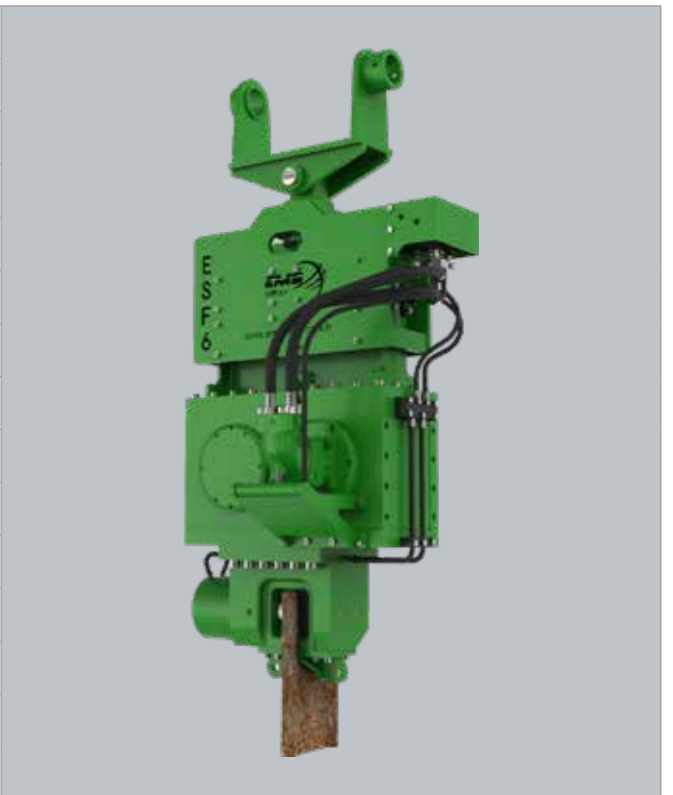


ESF6B Vibratory hammer

ESF6B size vibratory hammer is attached to 25-30 tons class excavators. This size vibratory hammer is efficient to drive sheet piles or steel tubes up to 7 meters in normal soil conditions.



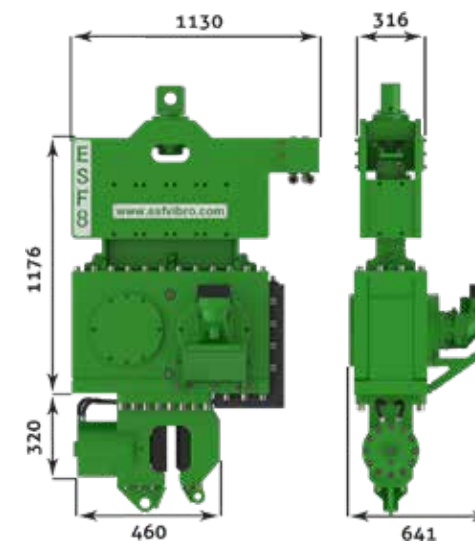
Excavator Class	tons	25-30
Centrifugal Force	kN	349
Eccentric Moment	kgm	6
Speed	rpm	2300
Pulling Force	kN	120
Push Down	kN	80
Total Weight	kg	1210
Dynamic Weight	kg	1000
Amplitude	mm	12
Power	kW	123
Displacement	liter/min	210
Working Pressure	bar	300
Height	mm	1631
Width	mm	621
Length	mm	928



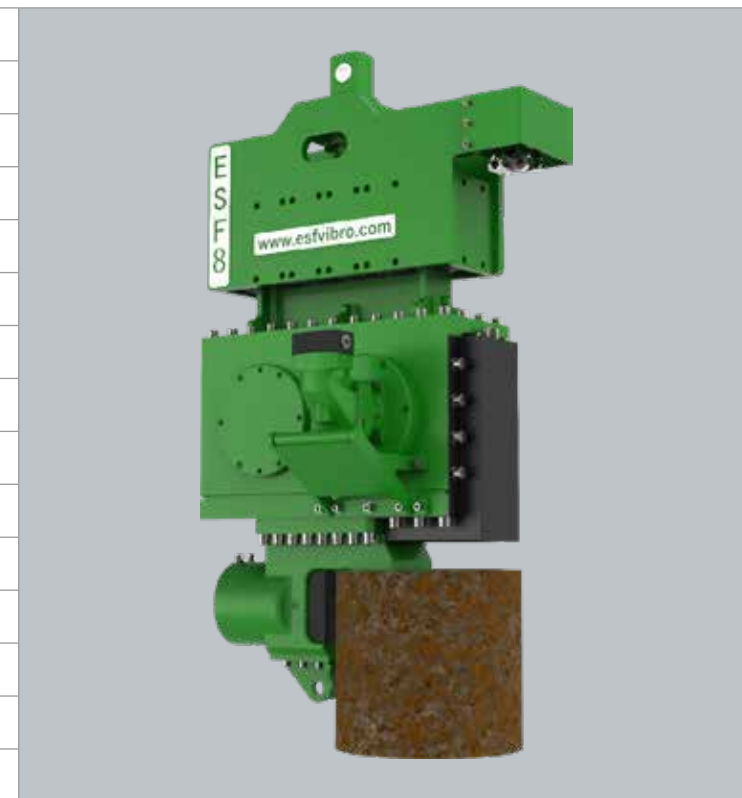


ESF8B Vibratory hammer

ESF8B size vibratory hammer is attached to 30-35 tons class excavators. Capable to drive steel sheet piles, steel tubes up to 12 meters in normal soft ground formations.



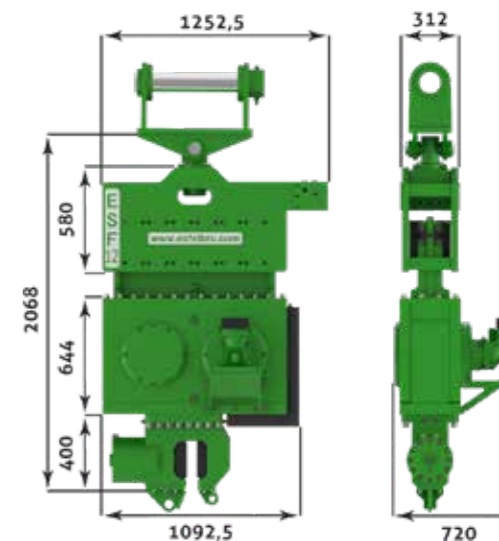
Excavator Class	tons	38-40
Centrifugal Force	kN	464
Eccentric Moment	kgm	8
Speed	rpm	2300
Pulling Force	kN	150
Push Down	kN	90
Total Weight	kg	1610
Dynamic Weight	kg	1290
Amplitude	mm	13
Power	kW	148
Displacement	liter/min	253
Working Pressure	bar	350
Height	mm	1750
Width	mm	641
Length	mm	1130





ESF12B Vibratory hammer

ESF12B size vibratory hammer is attached to 47-50 tons class excavators or can be operated by power pack unit like PS 300. ESF 12 Vibratory Hammer is the biggest excavator size vibratory hammer and can drive sheet piles or steel tubes up to 15 meters in hard ground formations.



Excavator Class	tons	45-50
Centrifugal Force	kN	934
Eccentric Moment	kgm	12.6
Speed	rpm	2600
Pulling Force	kN	200
Push Down	kN	200
Total Weight	kg	2350
Dynamic Weight	kg	1700
Amplitude	mm	14.8
Power	kW	185
Displacement	liter/min	315
Working Pressure	bar	300
Height	mm	2100
Width	mm	720
Length	mm	1093





M Type

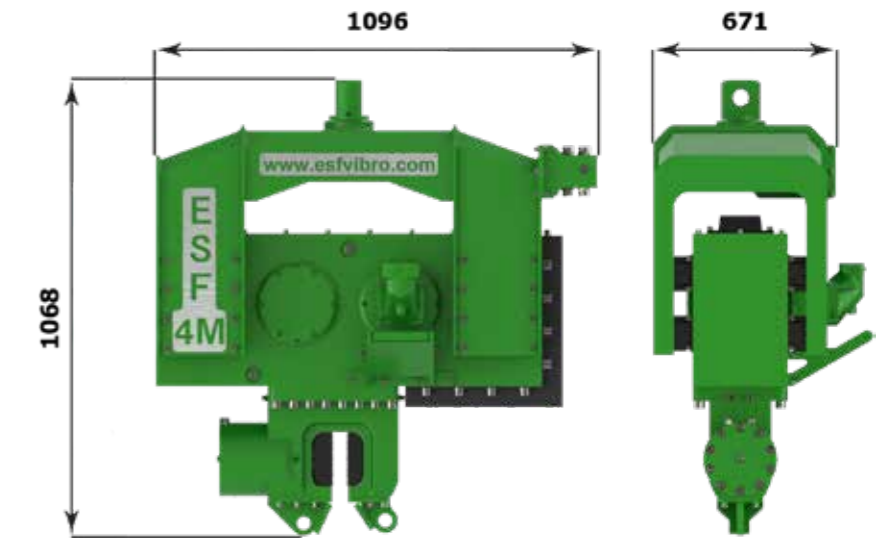
Excavator Mounted
Hydraulic Vibratory Hammers

We manufacture M Type excavator mounted vibratory hammers as per request. The biggest advantage of this type is the increase of total length of the sheet pile or steel tube. We recommend these M types for un-skilled new sheet pile excavator operators. M type is easy used on the other hand, in hard conditions B type is more effective types.

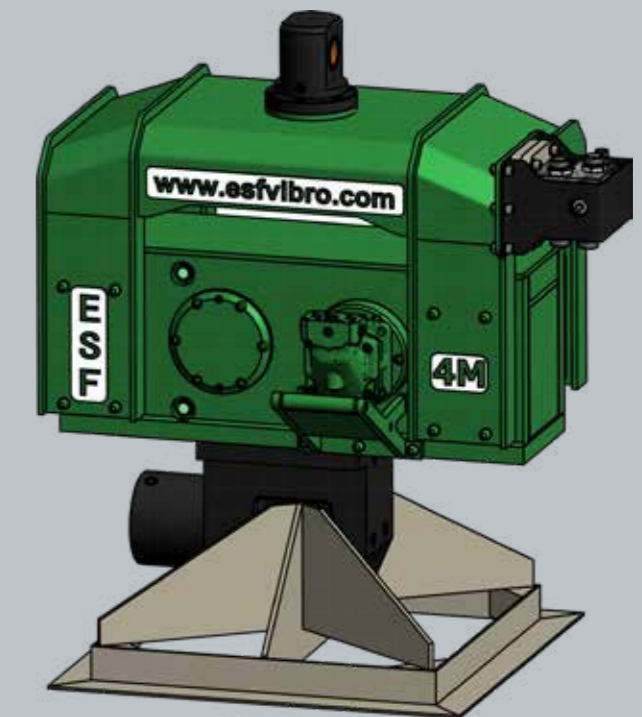


ESF4M Vibratory hammer

ESF4M is suitable to attach to 15-20 tons class excavators and capable to drive up to 6 mt sheet piles or steel tubes in normal ground formations.



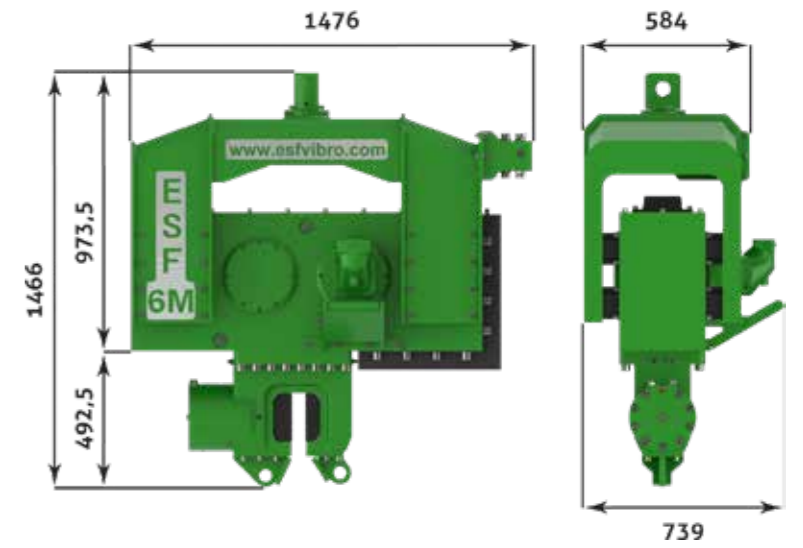
Excavator Class	tons	15-20
Centrifugal Force	kN	344
Eccentric Moment	kgm	4
Speed	rpm	2800
Pulling Force	kN	60
Push Down	kN	40
Total Weight	kg	760
Dynamic Weight	kg	545
Amplitude	mm	14.7
Power	kW	79
Displacement	liter/min	126
Working Pressure	bar	320
Height	mm	1068
Width	mm	671
Length	mm	1096





ESF6M Vibratory Hammer

ESF6M is suitable to attach to 25 tons class excavators and capable to drive up to 8 mt sheet piles or steel tubes in normal ground formations.



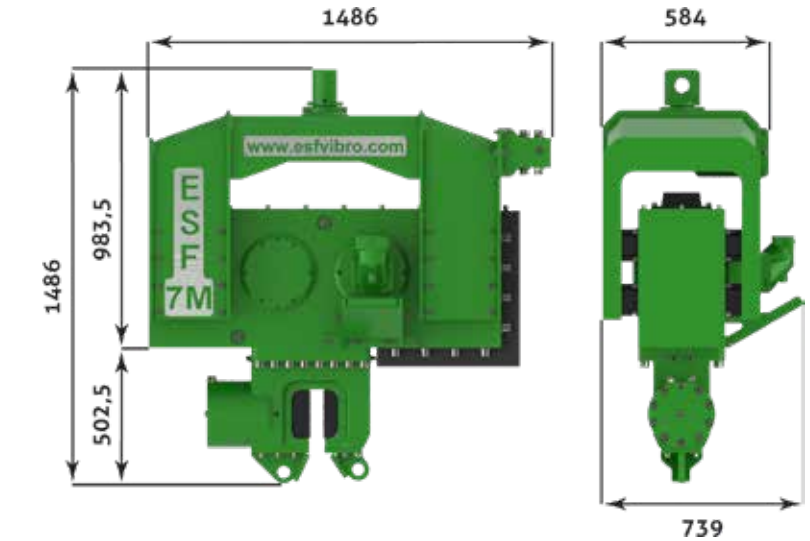
Excavator Class	tons	25-30
Centrifugal Force	kN	434
Eccentric Moment	kgm	6
Speed	rpm	2500
Pulling Force	kN	80
Push Down	kN	80
Total Weight	kg	1300
Dynamic Weight	kg	1000
Amplitude	mm	12
Power	kW	128
Displacement	liter/min	200
Working Pressure	bar	300
Height	mm	1466
Width	mm	584
Length	mm	1476





ESF7M Vibratory hammer

ESF7M is attached to 30 tons class excavators and capable to drive up to 10 mt steel sheet piles or steel tubes in normal soil formations.



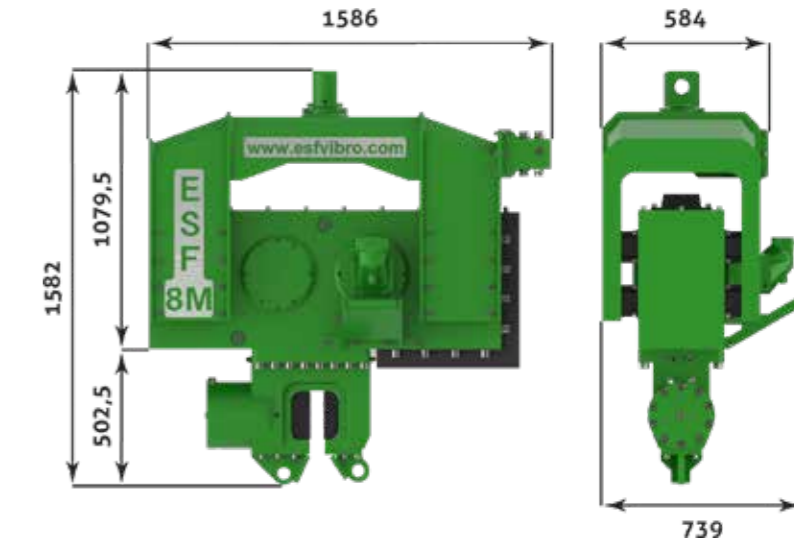
Excavator Class	tons	30
Centrifugal Force	kN	607
Eccentric Moment	kgm	7
Speed	rpm	2800
Pulling Force	kN	150
Push Down	kN	150
Total Weight	kg	1590
Dynamic Weight	kg	1160
Amplitude	mm	12
Power	kW	131
Displacement	liter/min	224
Working Pressure	bar	300
Height	mm	1486
Width	mm	584
Length	mm	1486





ESF8M Vibratory hammer

ESF8M is attached to 35-40 tons class excavators and capable to drive steel sheet piles and steel tubes up to 12 mt in normal ground formations.



Excavator Class	tons	35-40
Centrifugal Force	kN	751
Eccentric Moment	kgm	9.4
Speed	rpm	2700
Pulling Force	kN	150
Push Down	kN	150
Total Weight	kg	1960
Dynamic Weight	kg	1470
Amplitude	mm	13
Power	kW	143
Displacement	liter/min	243
Working Pressure	bar	300
Height	mm	1582
Width	mm	584
Length	mm	1586





EMS
GROUP

FACTORY:
EMS GROUP Hydraulic Machine Ind. Co. Ltd.
Ari Sanayi Sitesi 1472. Cad. No: 103
Ivedik - Yenimahalle / ANKARA / TURKEY
Tel: +90.312 394 75 05 • Fax: +90.312 394 75 06
www.emsgroup.com.tr • info@emsgroup.com.tr

SALES:
OSTIMEX Joint Stock Company
Serhat Mah. 1354. Cad. 1395. Sk. No: 6
Ivedik - Yenimahalle / ANKARA / TURKEY
Tel: +90.312 395 79 79 • Faks: +90.312 395 79 76
www.ostimex.com.tr • info@ostimex.com.tr

Ostimex[®]
Joint Stock Company